

Traffic Logix®

SafePace® 700 Radar Speed Sign

Product Specifications Version 1.3



***ALL SPECIFICATIONS ARE SUBJECT TO CHANGE WITHOUT NOTICE**

Traffic Logix® Corp. | 3 Harriet Lane | Spring Valley, New York 10977
T (866) 915-6449 F (866)995-6449 | www.trafficlogix.com | info@trafficlogix.com
©2014-2015 Traffic Logix® Corporation

Table of Contents

Dimensions.....	3
Technical Specifications	4
Communication.....	5
Programming.....	5
Data Collection and Statistical Analysis & Reporting (optional feature)	6
SafePace® Solar Panel specifications	8
SafePace® 700 Enclosure and Front Panel.....	9
Warranty.....	10
Warranty Replacement Procedure	11



***ALL SPECIFICATIONS ARE SUBJECT TO CHANGE WITHOUT NOTICE**

Traffic Logix® Corp. | 3 Harriet Lane | Spring Valley, New York 10977
T (866) 915-6449 F (866)995-6449 | www.trafficlogix.com | info@trafficlogix.com
©2014-2015 Traffic Logix® Corporation

Dimensions

- Digit: 18.0"(h) x 10.0"(w), 768 LEDs
- Variable Message Matrix: 12.5"(h) x 24"(w), 512 LEDs
 - 1 graphic or 2 lines of 6.0" (h) text (up to 7 characters per line)
- Unit : 42.5"(h) x 31.0"(w) x 5.0"(d)
- Sign Weight: 55 lbs (unit alone without batteries)



***ALL SPECIFICATIONS ARE SUBJECT TO CHANGE WITHOUT NOTICE**

Traffic Logix® Corp. | 3 Harriet Lane | Spring Valley, New York 10977
T (866) 915-6449 F (866)995-6449 | www.trafficlogix.com | info@trafficlogix.com
©2014-2015 Traffic Logix® Corporation

Technical Specifications

- Miles Per Hour (mph) or Kilometers Per Hour (km/h)
- Aluminum protective cover: 0.1875" (d)
- Yellow or white High-Intensity prismatic reflective sheeting on the sign face with black colored text
- MUTCD approved colors and format
- Operating Temperatures: -40°F/-40°C to 185°F/85°C
- Conformal coating on all circuit boards
- Power
 - Power Input:
 - AC 100~240 VAC
 - 12 VDC
 - Built in ambient light sensing and automatic brightness control
 - Wireless battery charge monitor
 - Power Options
 - AC power input: 100~240 VAC
 - DC power input: 12 VDC
 - Solar power: 85W solar panel
- Radar
 - Internal Radar: Doppler (FCC approved)
 - Radar RF out: 5 mW maximum
 - Radar f-center: 24.125 GHz center +/-25MHz
 - Pickup distance: Up to 1,200 feet (366m)
 - Beam angle: 11 x 11°
 - Beam polarization: Linear
- Display
 - LEDs 1,322:
 - Digits: 768 Amber, 23°, 5 mm, luminous Intensity (5680 – 8200 mcd/LED)
 - Matrix: 512 Amber, 23°, 5 mm, luminous Intensity (5680 – 8200 mcd/LED)
 - Speed Violator Strokes: 42 White, 15°, 5 mm , luminous intensity (28,150 mcd/LED)
 - Optical lenses: 1,322 polycarbonate lenses



***ALL SPECIFICATIONS ARE SUBJECT TO CHANGE WITHOUT NOTICE**

Traffic Logix® Corp. | 3 Harriet Lane | Spring Valley, New York 10977
T (866) 915-6449 F (866)995-6449 | www.trafficlogix.com | info@trafficlogix.com
©2014-2015 Traffic Logix® Corporation

- Ambient light sensor and automatic brightness adjustment
- Enclosure
 - 12/14 gauge aluminum, light gray powder coated body to minimize heat absorption
 - Weatherproof, NEMA 4X-12, IP65 level compliant
 - Non-sealed and ventilated
- Mounting Options
 - Banding brackets (standard)

Communication

- Bluetooth 4.0 (standard)
- Wi-Fi (optional)



Programming

- SafePace® Pro Management Software
- 24/7 365 day unlimited programming and scheduling

□ Display Settings:

- Display On/Stealth Modes (In Stealth Mode, speed is not displayed but data is collected)
- Display Minimum Speed, Display Maximum Speed
- Digit Flashing Speed Threshold (digits flash above selected speed)
- Message Flashing Speed Threshold (message flash above selected speed)
- 4 standard messages: “SPEED LIMIT”, “YOUR SPEED”, “SLOW DOWN”, “TOO FAST”
- 4 Custom Message slots
- 1 custom Animation which can utilize up to four Custom Message slots
- 2 Speed Violator Strobes (pulsing strobes flash with digits or alone above Display Maximum Speed)



***ALL SPECIFICATIONS ARE SUBJECT TO CHANGE WITHOUT NOTICE**

Traffic Logix® Corp. | 3 Harriet Lane | Spring Valley, New York 10977
 T (866) 915-6449 F (866)995-6449 | www.trafficlogix.com | info@trafficlogix.com
 ©2014-2015 Traffic Logix® Corporation

Data Collection and Statistical Analysis & Reporting (optional feature)

- Traffic data collected and stored by location
- Stealth Mode (capture baseline traffic data with speed display off)
- Download through wireless connection
- Statistical Reporting & Charts
 - Summary Reports
 - Weekly Reports
 - Period Comparison Reports
 - Full custom reports and charts
 - Reporting Parameters:
 - Average Vehicle Count
 - Total Vehicle Count
 - Average Speed
 - Average Number of Speed Violations
 - Total Number of Speed Violations
 - Other Features
 - Minimum and Maximum Speed
 - 85% Speed
 - Counters by Speed Bins
 - 5 MPH Bin Resolution
 - Reports print directly or can be exported into CSV format, MS Excel, Adobe Acrobat PDF and HTML
 - Charts may be printed directly or converted into Adobe Acrobat PDF and picture formats



***ALL SPECIFICATIONS ARE SUBJECT TO CHANGE WITHOUT NOTICE**

Traffic Logix® Corp. | 3 Harriet Lane | Spring Valley, New York 10977
T (866) 915-6449 F (866)995-6449 | www.trafficlogix.com | info@trafficlogix.com
©2014-2015 Traffic Logix® Corporation

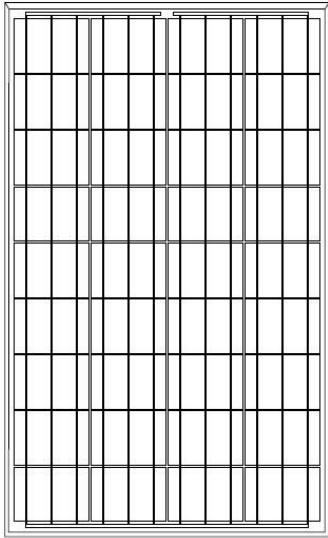


***ALL SPECIFICATIONS ARE SUBJECT TO CHANGE WITHOUT NOTICE**

Traffic Logix® Corp. | 3 Harriet Lane | Spring Valley, New York 10977
T (866) 915-6449 F (866)995-6449 | www.trafficlogix.com | info@trafficlogix.com
©2014-2015 Traffic Logix® Corporation

SafePace® Solar Panel specifications

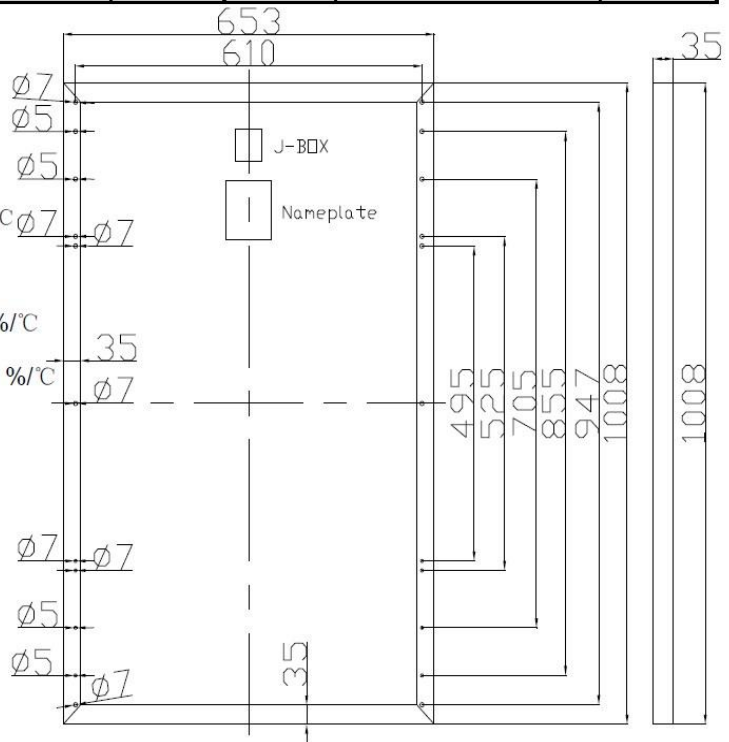
DS-A1-85 Panels Specifications



- Solar cells:** Crystalline solar cells
- Laminate:** Glass /EVA / TPT (tedlar/pet/tedlar) or TPE
- Front Side:** High-transmission 3.2mm tempered glass
- Back Side:** TPT /TPE
- Frame:** Clear anodized aluminum frame
- Output cable:** Junction box

Module Type	Pm(Wp)±5%	Vmpp(V)	Impp(A)	Voc(V)	Isc(A)	Module size(mm)	NET(kg)
DS-A1-85	85	17.3	4.91	21.6	5.46	1008*653*35	7.8

- Operation Temperature Range:** - 40°C~85°C
- NOCT:** 48°C±3°C
- Temperature coefficients of Im:** + 0.1 %/°C
- Temperature coefficients of Vm:** - 0.38 %/°C
- Maximum System Voltage:** DC600V
- STC:** 1000W/m², 25°C, AM1.5



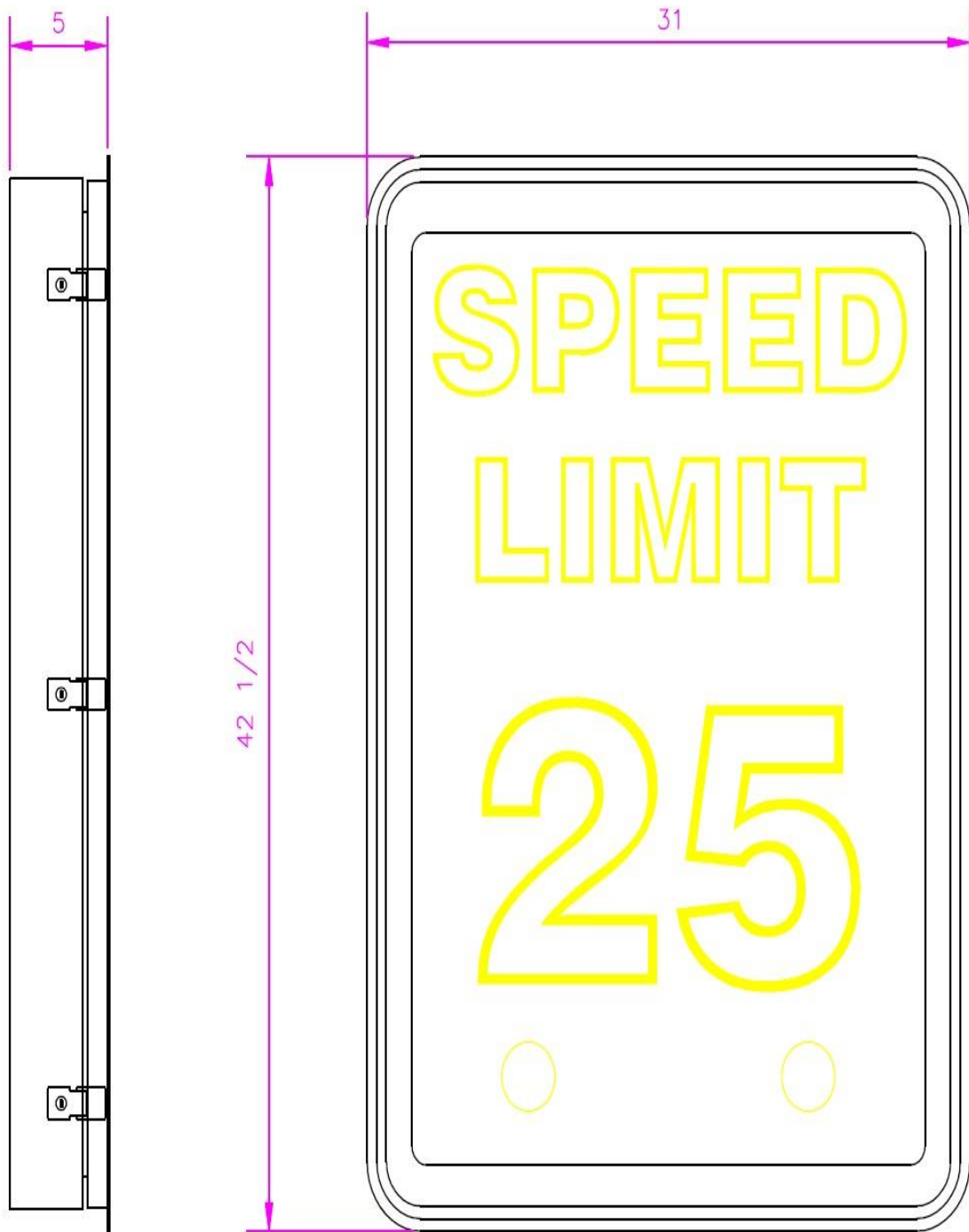
All the data of this sheet are subjected to change without notice.



***ALL SPECIFICATIONS ARE SUBJECT TO CHANGE WITHOUT NOTICE**

Traffic Logix® Corp. | 3 Harriet Lane | Spring Valley, New York 10977
 T (866) 915-6449 F (866)995-6449 | www.trafficlogix.com | info@trafficlogix.com
 ©2014-2015 Traffic Logix® Corporation

SafeFace® 700 Enclosure and Front Panel



***ALL SPECIFICATIONS ARE SUBJECT TO CHANGE WITHOUT NOTICE**

Traffic Logix® Corp. | 3 Harriet Lane | Spring Valley, New York 10977
T (866) 915-6449 F (866)995-6449 | www.trafficlogix.com | info@trafficlogix.com
©2014-2015 Traffic Logix® Corporation

Warranty

Subject to the following conditions, Traffic Logix Corporation (“Traffic Logix”) warrants that the SafePace® 700 Speed sign (the “Product”) is free from defects in materials and workmanship. This limited warranty begins on the invoice date of your purchase of the Product and extends:

- For TWO (2) calendar years on the radar sign, and
- For ONE (1) calendar year on the batteries.

This limited warranty extends only to the original purchaser of the Product when purchased either directly through Traffic Logix® or through an authorized Traffic Logix® distributor and is not assignable or transferable to any subsequent purchaser or end-user. Traffic Logix’s® obligation and liability under this warranty are expressly limited to repairing or replacing, at Traffic Logix’s® option, defective products. In no circumstances shall Traffic Logix’s® liability, whether in contract or tort, under any warranty, in negligence, or otherwise, exceed the amount of the purchase price of the product. Traffic Logix® shall not be liable for special, indirect, or consequential damages of any kind. This warranty does not cover damages resulting from normal wear and tear, incorrect installation or operation, use other than for the product’s intended purposes, vandalism, and extraordinary environmental circumstances. Traffic Logix® reserves the right to charge for these damages to the product at rates normally charged for repairing such products not covered under this warranty. Damages resulting from any physical changes or alterations made to the product other than Traffic Logix® will render this warranty **VOID**. Using any parts or accessories not supplied or approved by Traffic Logix®, such as battery chargers, will further render the warranty **VOID**.

Traffic Logix® neither assumes, nor authorizes any person to assume for it, any other liability in connection with the sale of the Product, and there are no agreements or warranties collateral to or affecting this limited warranty.

THE LIMITED WARRANTY SET FORTH IN THIS AGREEMENT IS THE EXCLUSIVE AND SOLE WARRANTY APPLICABLE TO THIS PURCHASE. ALL OTHER WARRANTIES, EXPRESS OR IMPLIED, INCLUDING, BUT NOT LIMITED TO THE IMPLIED WARRANTY OF MERCHANTABILITY AND THE IMPLIED WARRANTY OF FITNESS FOR A PARTICULAR PURPOSE ARE EXPRESSLY DISCLAIMED.

Traffic Logix® does not warrant that any of its products will meet or comply with the requirements of any applicable federal, state or local safety code, law, regulation or ordinance (“Applicable Safety Laws”). Buyer acknowledges that Traffic Logix’s® products are to be used only in accordance with the



***ALL SPECIFICATIONS ARE SUBJECT TO CHANGE WITHOUT NOTICE**

Traffic Logix® Corp. | 3 Harriet Lane | Spring Valley, New York 10977
T (866) 915-6449 F (866)995-6449 | www.trafficlogix.com | info@trafficlogix.com
©2014-2015 Traffic Logix® Corporation

attached Conditional Terms of Use and any Applicable Safety Laws. Buyer agrees that there shall be no coverage or benefits of any kind under this limited warranty if it is determined by Traffic Logix® that the Product was not installed or used in accordance with the Conditional Terms of Use or Applicable Safety Laws, or if the Product has been altered in any way by anyone other than Traffic Logix®, or if the Product has been subject to any misuse or accident. In addition, Buyer assumes and agrees to indemnify Traffic Logix® for all risk, liability or expense that results from any installation or use of the Product that is not in accordance with the Conditional Terms of Use or any Applicable Safety Laws.

Warranty Replacement Procedure

In order to submit a claim for the repair or replacement of the Product under this limited warranty, you must do the following:

- 1) Obtain a Return Materials Authorization number by contacting Customer Support. Do not ship your defective product to Traffic Logix® prior to contacting Customer Support.
- 2) A Customer Support agent will evaluate the Product to determine if it is defective. If the product is defective, then you will need to submit your contact information, and proof of purchase (including the date of purchase), in order to obtain repair or replacement parts.
- 3) The Customer Service Agent will provide you with instructions on how to have defective parts repaired or replaced.



***ALL SPECIFICATIONS ARE SUBJECT TO CHANGE WITHOUT NOTICE**

Traffic Logix® Corp. | 3 Harriet Lane | Spring Valley, New York 10977
T (866) 915-6449 F (866)995-6449 | www.trafficlogix.com | info@trafficlogix.com
©2014-2015 Traffic Logix® Corporation