

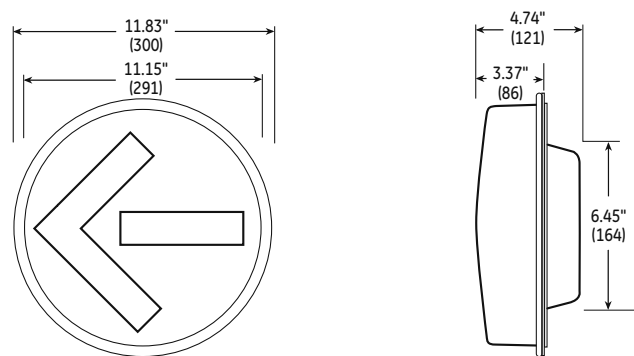
# Bi-Modal Arrow LED Traffic Signal Modules

## 12 inch, Green and yellow

### Features and Benefits

- High efficiency and long life LED light source
- Moisture and dust resistant
- Designed for new or retrofit use
- All products shipped with gasket installed
- Provides performance under extreme field temperature conditions

### Mechanical Outline Dimensions in (mm)



### Design Compliance

Test Type	Compliance
Chromaticity	ITE VTCSH-LED Vehicle Arrow Traffic Signal Supplement, July 2007
Moisture Resistance	NEMA STD 250-1991
Mechanical Vibration	MIL-STD-833 Method 2007
Electronic Noise	FCC Title 47 Sub. B Sec. 15 <sup>1</sup>
Wiring	NFPA 70, National Electric Code

### Operating Specifications

Parameter	Rating
Operating Temperature Range	-40 to +74°C (-40 to +165°F)
Operating Voltage Range	80 to 135 V (60Hz AC)
Power Factor (P.F.)	> 90%
Lens & Shell Material	UV Stabilized Polycarbonate
Total Harmonic Distortion (T.H.D.)	< 20%
Wiring	16 AWG, Color Coded with Strain Relief

### Product Information

Model Number	Dimensions (in)	AC Voltage Nominal	Power (W) Nominal	Color	Profile Type
DR6-ECA6-01A	12	120V - 60Hz	10/10	Bi-Modal Green & Yellow	Arrow

<sup>1</sup>Class A.



GE Lighting Solutions • **1-888-MY-GE-LED** • [www.gelightingsolutions.com](http://www.gelightingsolutions.com)  
1 - 8 8 8 - 6 9 - 4 3 - 5 3 3

GE Lighting Solutions, LLC is a subsidiary of the General Electric Company. The GE brand and logo are trademarks of the General Electric Company.  
© 2012 GE Lighting Solutions, LLC. Information provided is subject to change without notice. All values are design or typical values when measured under laboratory conditions.